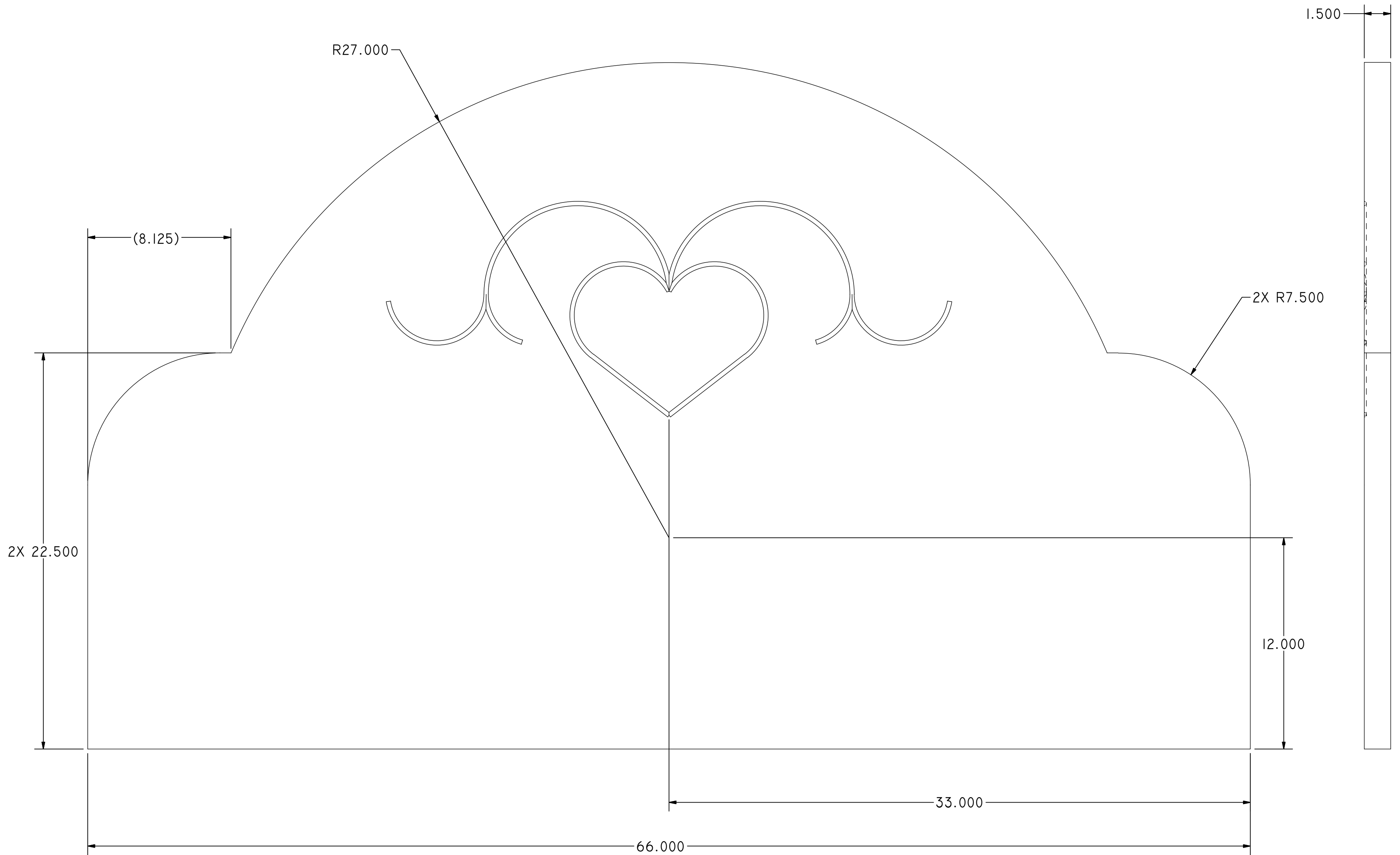
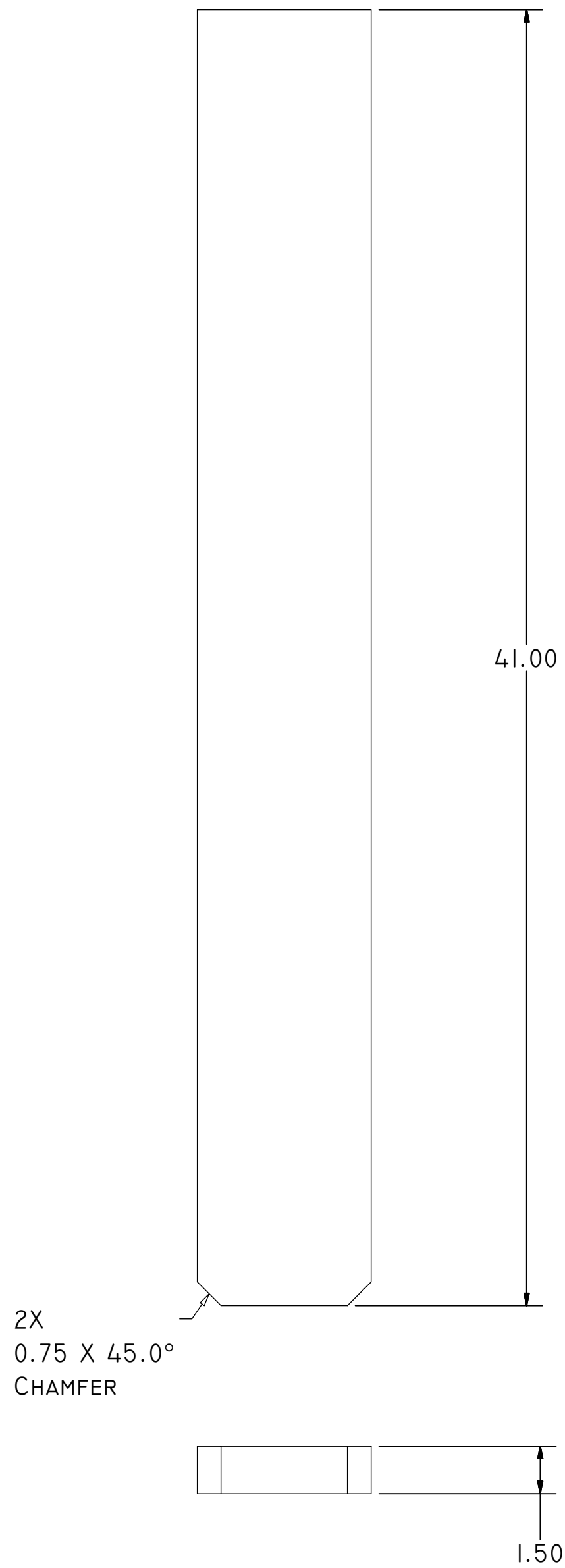


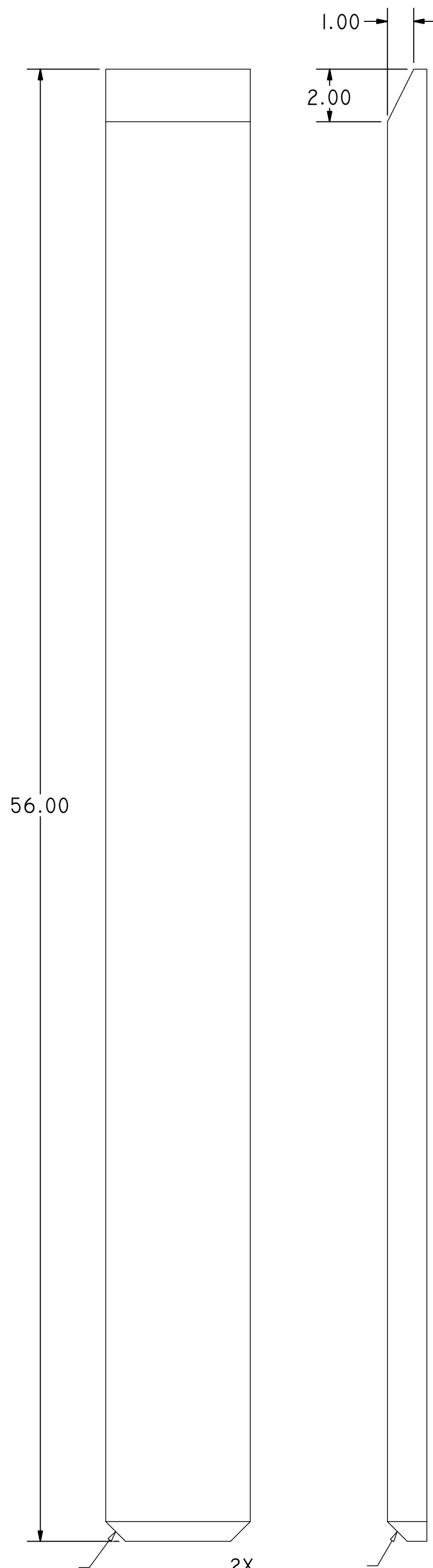
SECTION B-B
SCALE .0625



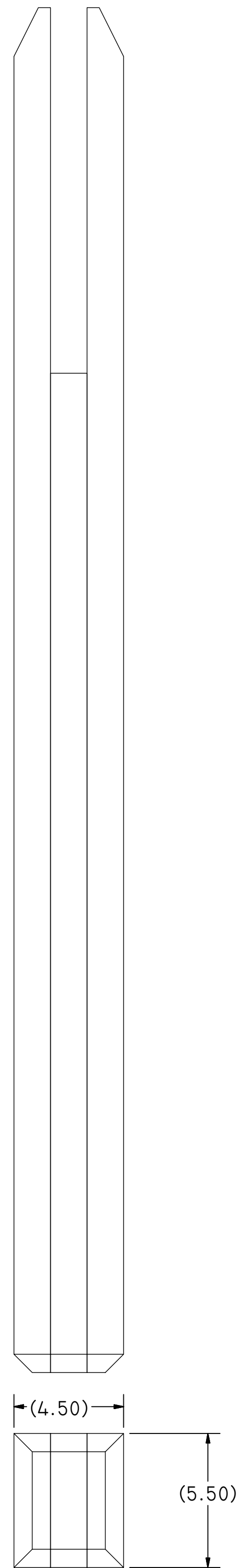
HEADBOARD_FOOTBOARD
 2X12 LAMINATED STOCK



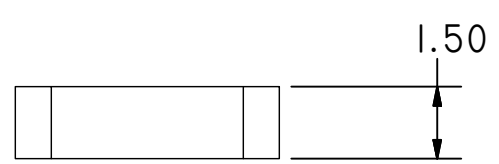
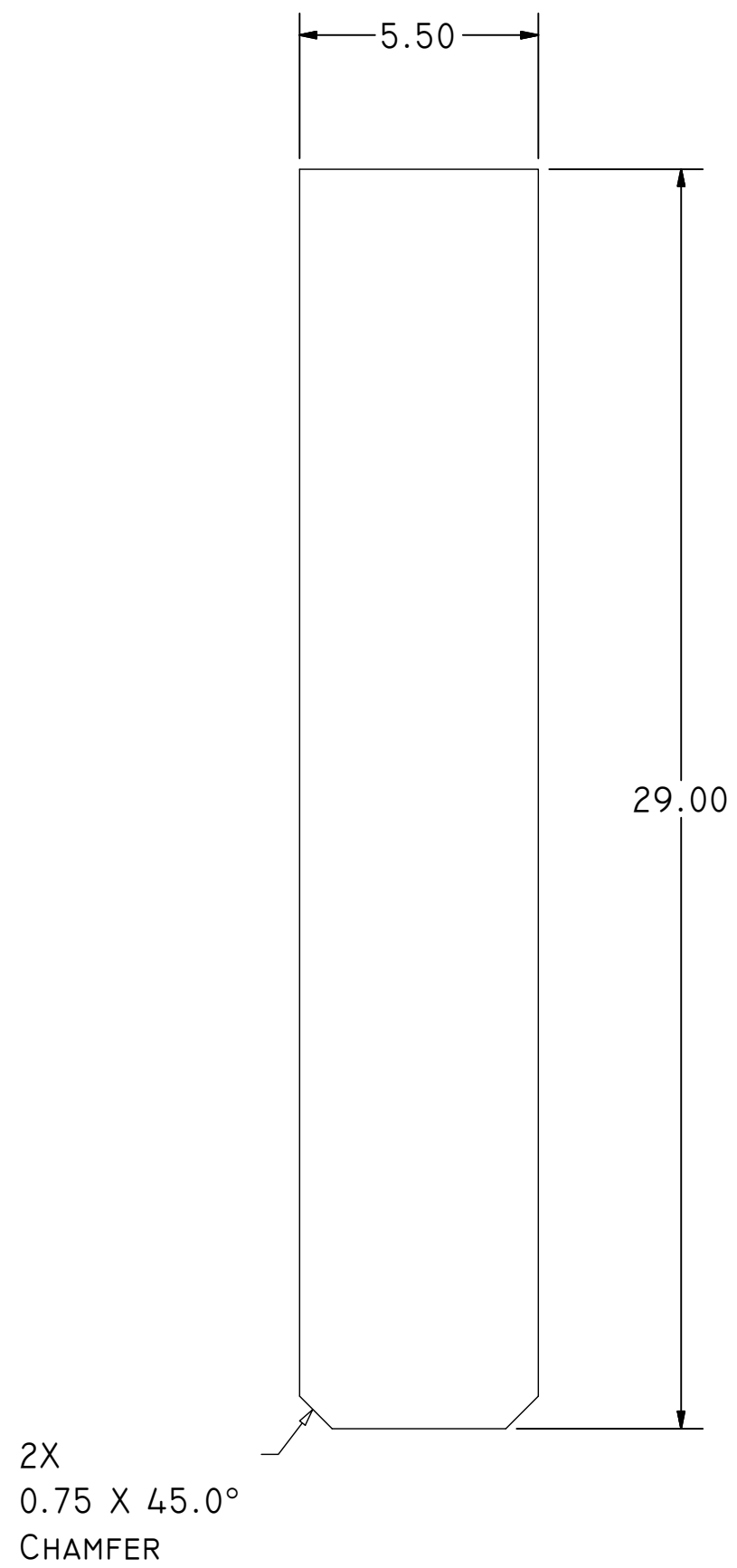
HEADBOARD
LEG CORE
2X6 STOCK
2 REQ



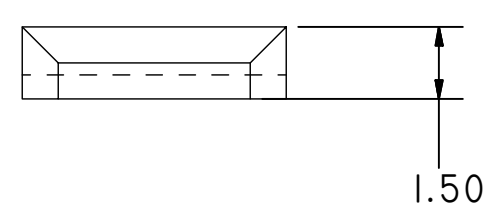
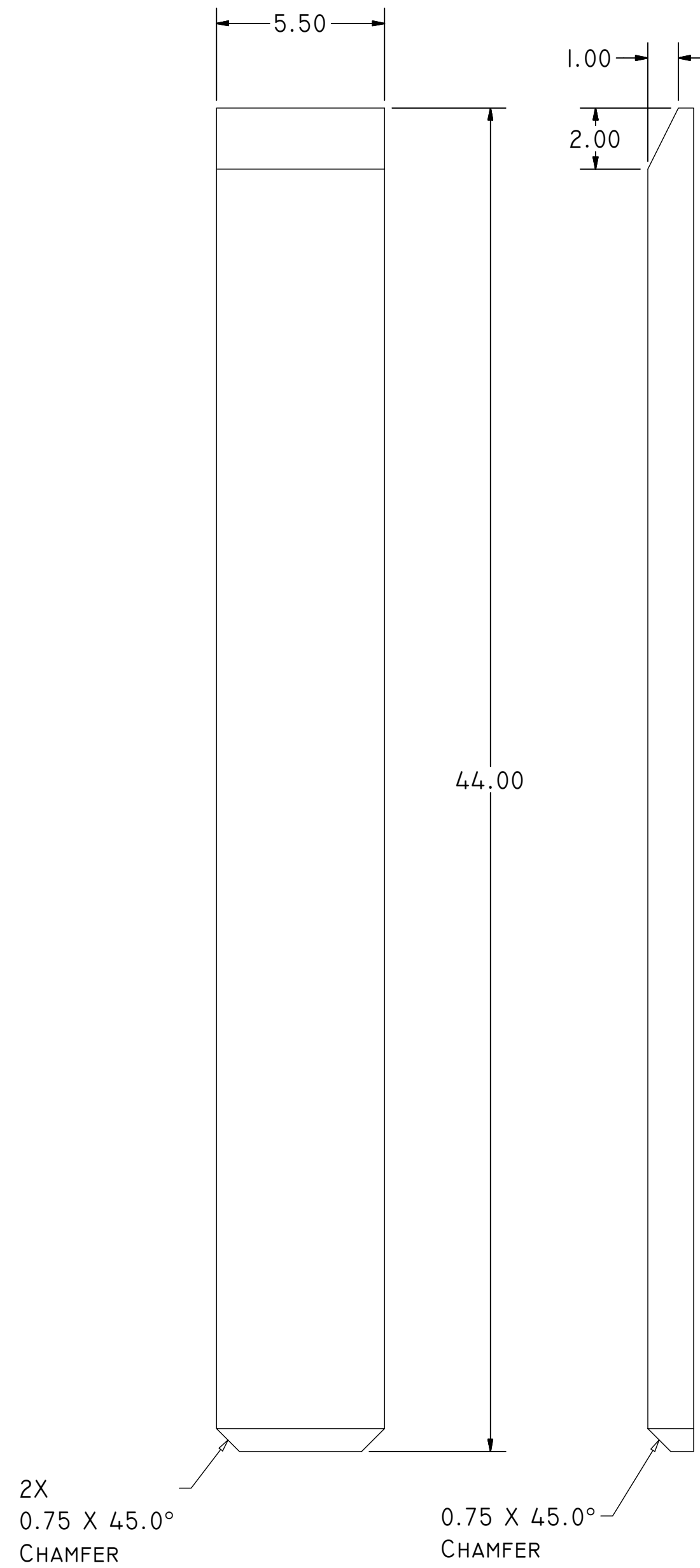
HEADBOARD
LEG OUTER
2X6 STOCK
4 REQ



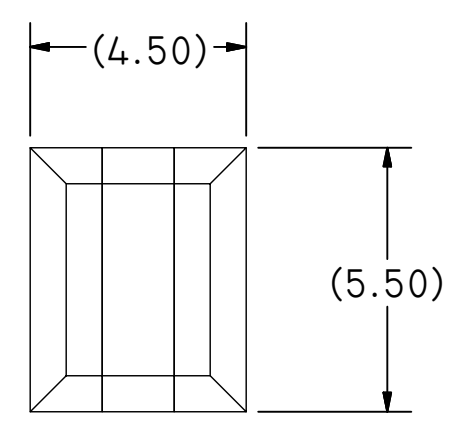
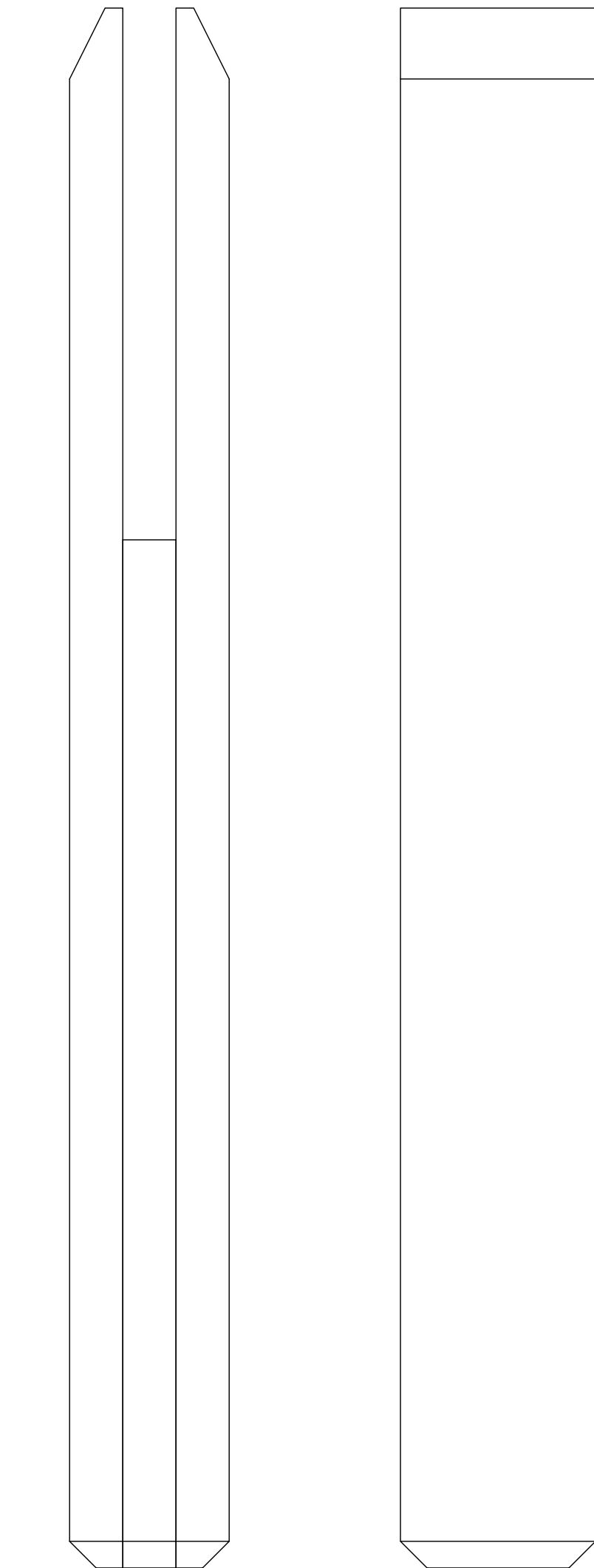
HEADBOARD
LEG ASSY
2 REQ



FOOTBOARD
LEG CORE
2X6 STOCK
2 REQ



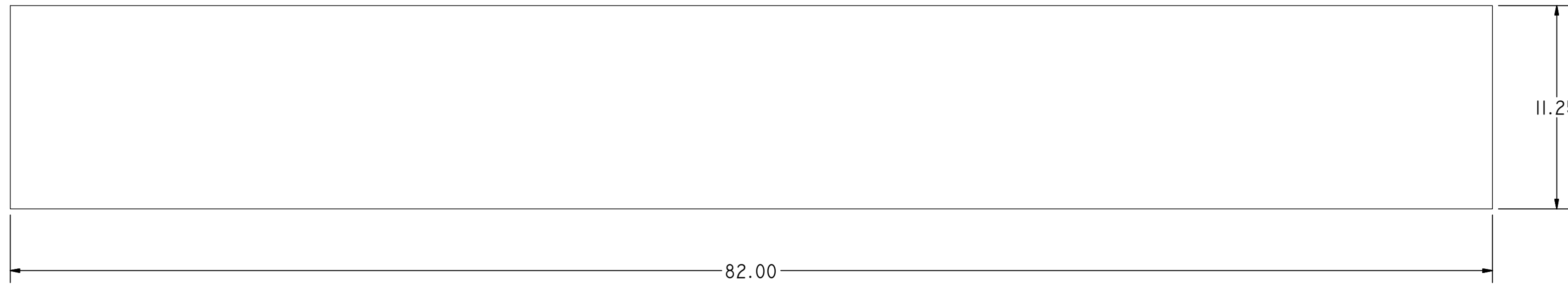
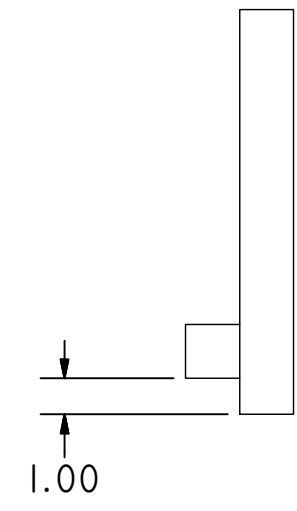
FOOTBOARD
LEG OUTER
2X6 STOCK
4 REQ



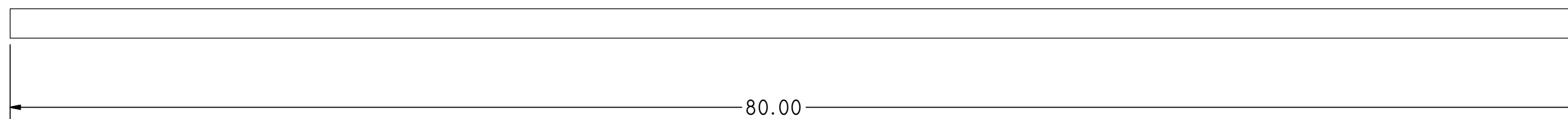
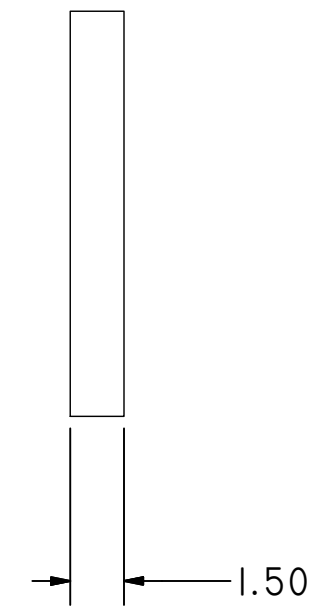
FOOTBOARD
LEG ASSY
2 REQ



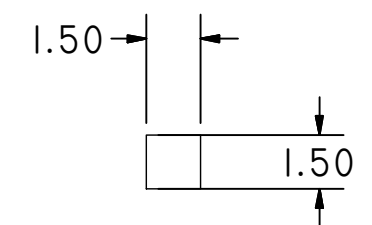
SIDEBOARD ASSY
2 REQ

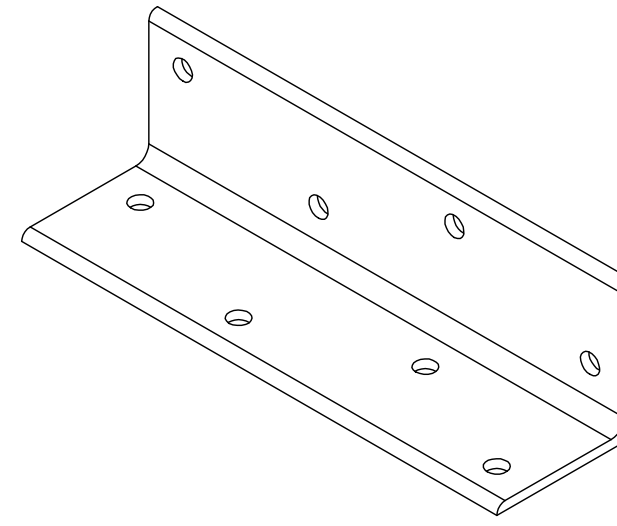
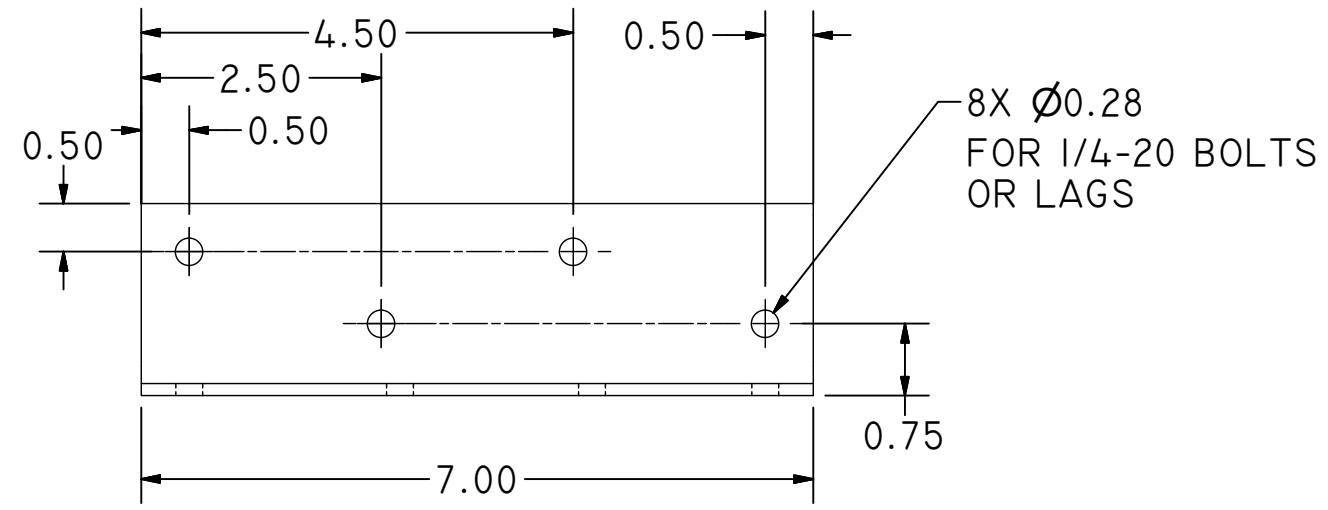
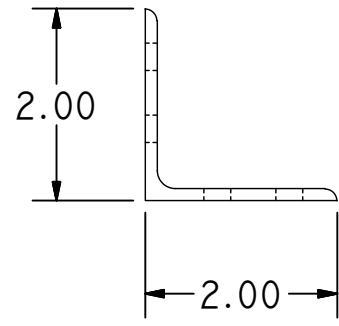


SIDEBOARD
2X12 STOCK
2 REQ

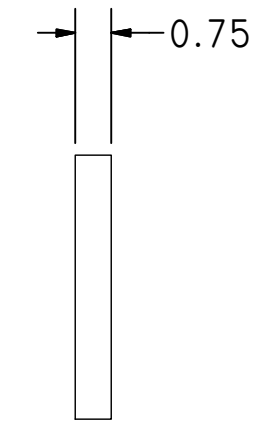
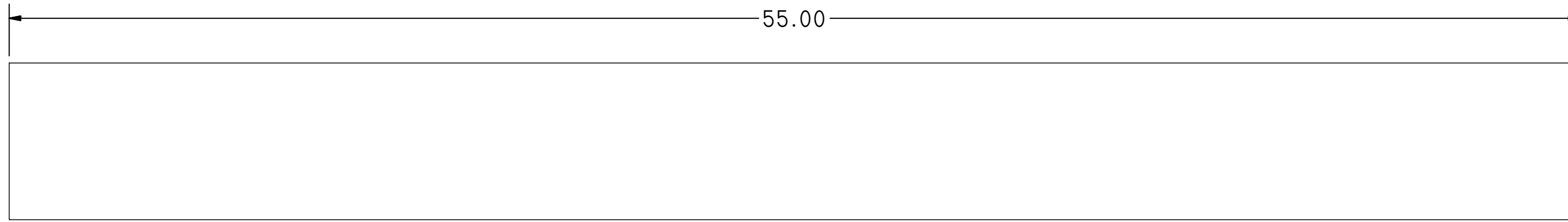


SIDEBOARD
SUPPORT
2X2 STOCK
2 REQ

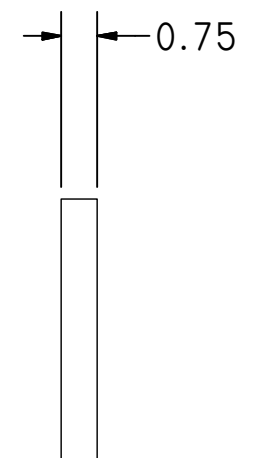
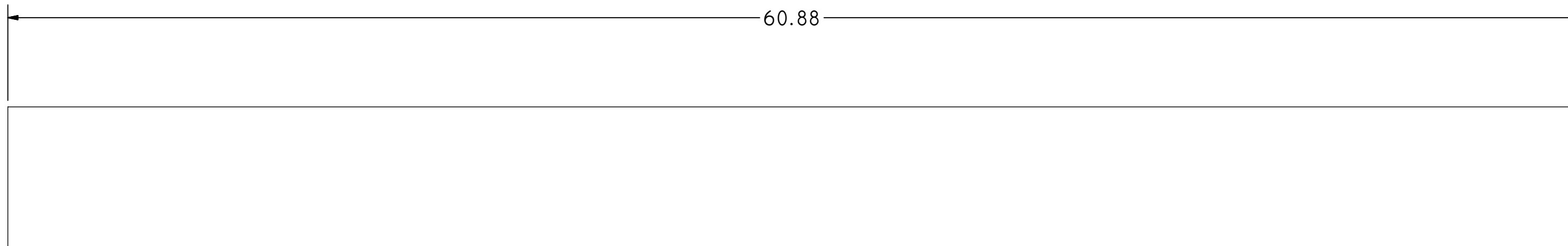




CORNER BRACKET
 CORNER BRACKET
 STD 2" ANGLE
 MILD STEEL
 4 REQ



HEAD FOOT BOARD
 TRIM
 IX6
 4 REQ



SUPPORT SLATS
 IX6
 4 REQ